

Crane Control Unit

KST85



The KST85 is an ergonomically designed swiveling crane control chair which provides a high degree of comfort.

Equipment boxes:

The equipment boxes are vertically and horizontally adjustable. The arrangement of the joysticks, indicators and control devices is customised according to customer specifications. Cabling is carried out through a cross-member in the traverse.

(Terminal block)

Special boxes available upon request.

Driver's seat:

The comfortable spring mounted seat KFS14 with roller-bearing swivel systems.

Heating console:

Cover with 2 steps heating (2x2kW 400V AC) with integrated ventilator. The cover of the heating cover can be tilted forward to reach the terminal block of the heating and cable execution.

Surface treatment:

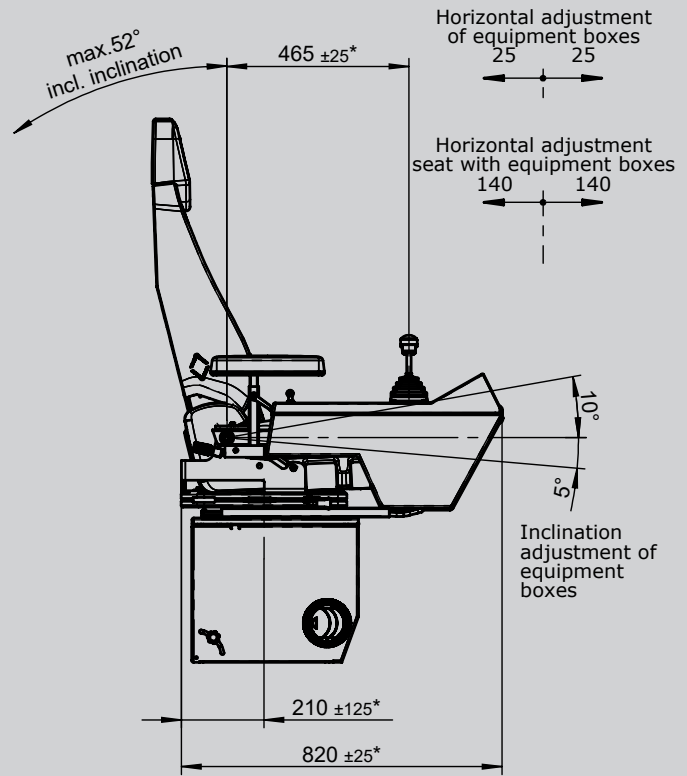
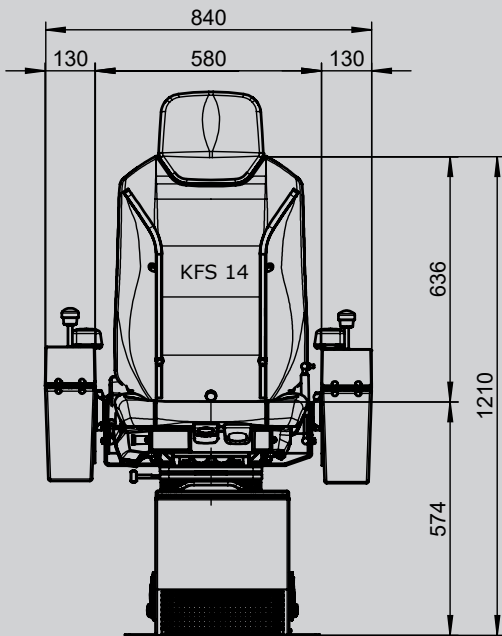
Base coat and textured varnish
Standard colour RAL 9011 black



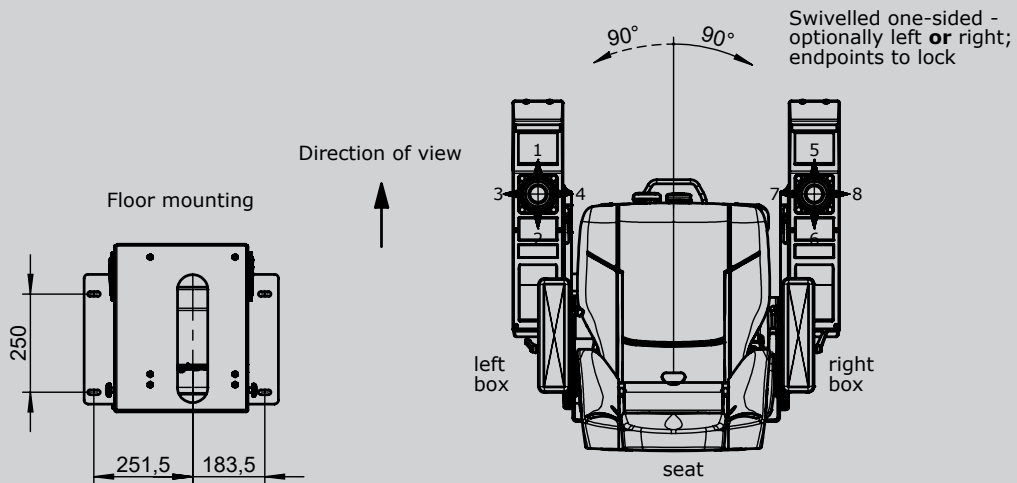
		Example											
		KST85	-M1	/	KFS82	/	V64	/	V64.1	/	KL	/	X
Basic unit													
KST85	With heating in the apron												
KST87	With apron without heating												
Attachments													
M1	Monitor mounting with monitor housing												
M2	Monitor mounting with monitor mounting bracket												
M3	Monitor mounting without monitor housing/-mounting bracket												
Driver's seat													
KFS82*	(Included in the delivery!)												
Mounting for equipment boxes													
V...	Multi-axis Controller (see page 1)												
S...	Single-axis Controller (see page 101)												
D...	Double-handle Controller (see page 80)												
N...	Control-switch (see page 142)												
...	More command and indicating devices (see page 218)												
Wiring													
KL	Without wiring, but with terminal block built each terminal												
KLV	On terminal block 4 mm ² with single wire 1 mm ² each terminal												
KLVA	External wiring single wire highly flexible 1,5 mm ² , 5 m long each terminal												
Special model													
X	Special / customer specified												
X ²	Special painted												
Option													
Radio remote control system													



Technical details may vary based on configuration or application! Technical data subject to change without notice!



3



* adjustable